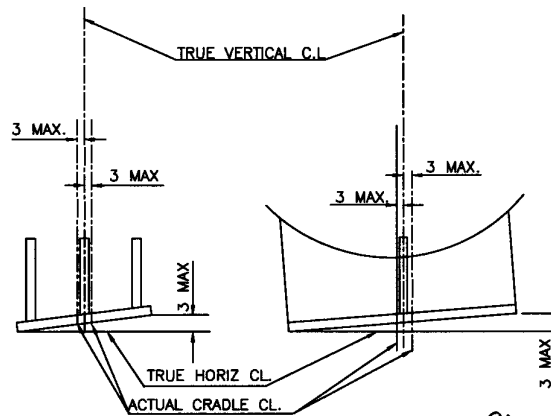
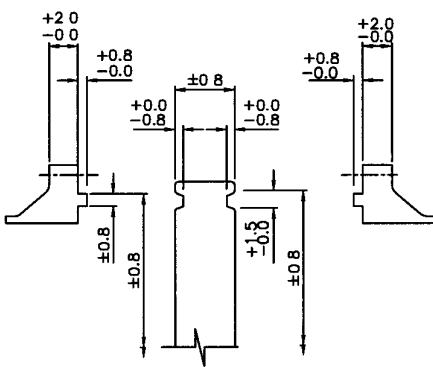
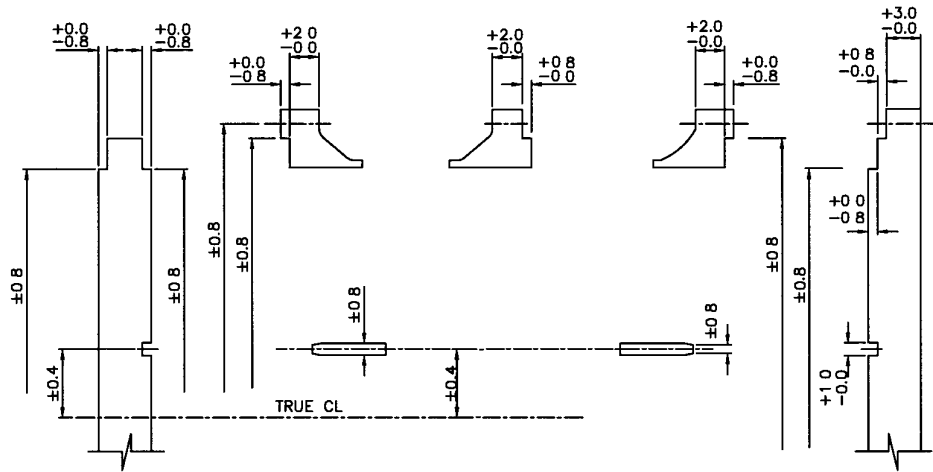
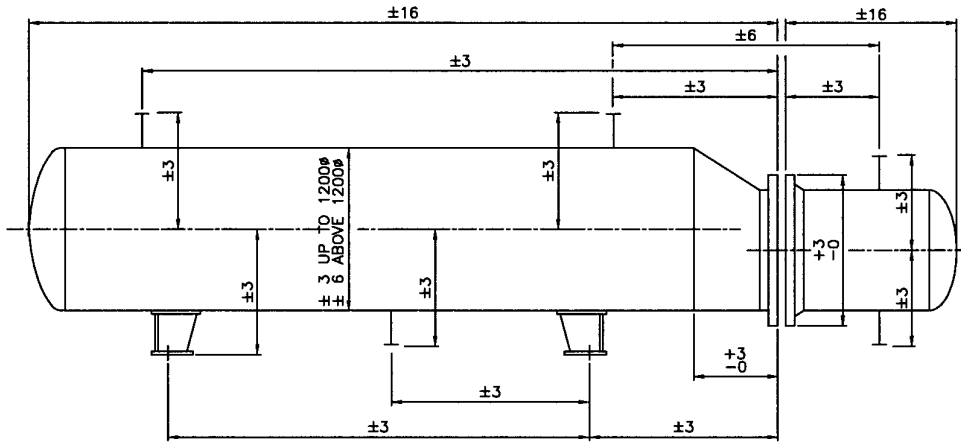
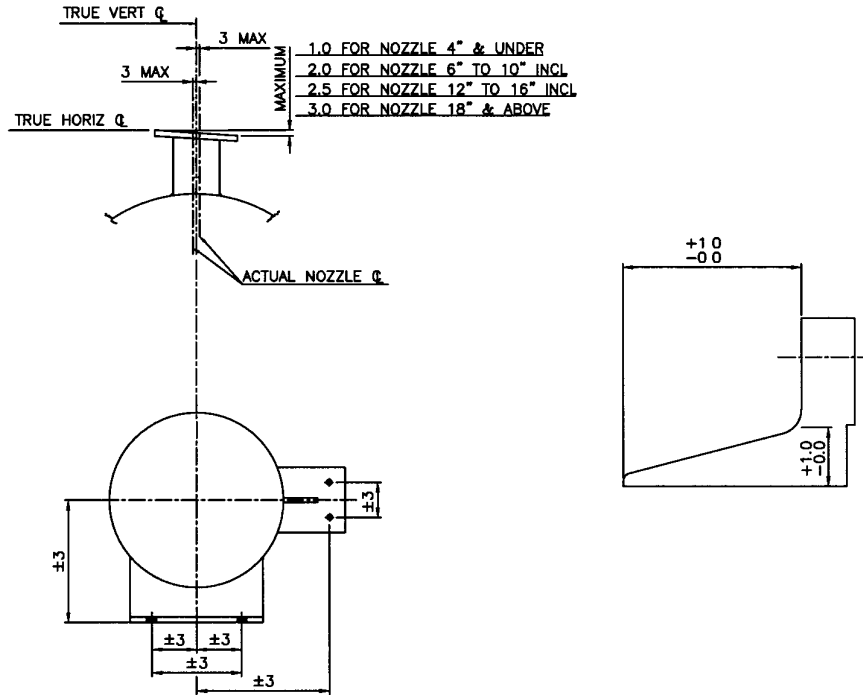


5	31.10.19	REAFFIRMED AND REISSUED AS STANDARD	DP	NSK	KJH	RKT
4	06.05.14	REAFFIRMED AND REISSUED AS STANDARD	GCP	KA	RKT	SC
Rev No	Date	Purpose	Prepared by	Checked by	Stds Committee Convener	Stds Bureau Chairman
						Approved by



5	31.10.19	REAFFIRMED AND REISSUED AS STANDARD	DF	NSK	KJH	RKT
4	06.05.14	REAFFIRMED AND REISSUED AS STANDARD	GCP	KA	RKT	SC
Rev No	Date	Purpose	Prepared by	Checked by	Stds Committee Convener	Stds Bureau Chairman
Approved by						



GENERAL NOTES: -

1. CUMULATIVE TOLERANCES ON CONSECUTIVE DIMENSIONS SHALL BE LIMITED BY OVERALL DIMENSION TOLERANCE.
2. SPECIFIC TOLERANCES DESIRED FOR ANY PART SHALL BE SHOWN ON THE DRAWING AND SHALL BE GIVEN PREFERENCE TO THOSE GIVEN IN THIS STANDARD.
3. TUBE HOLE TOLERANCES SHALL BE AS PER TEMA.
4. ONLY WHEN NUMBER OF BAFFLE PITCHES EXCEED EIGHT.

5	31.10.19	REAFFIRMED AND REISSUED AS STANDARD	DP	MSK	KJH	RKT
4	06.05.14	REAFFIRMED AND REISSUED AS STANDARD	GCP	KA	RKT	SC
Rev No	Date	Purpose	Prepared by	Checked by	Stds Committee Convener	Stds Bureau Chairman
						Approved by