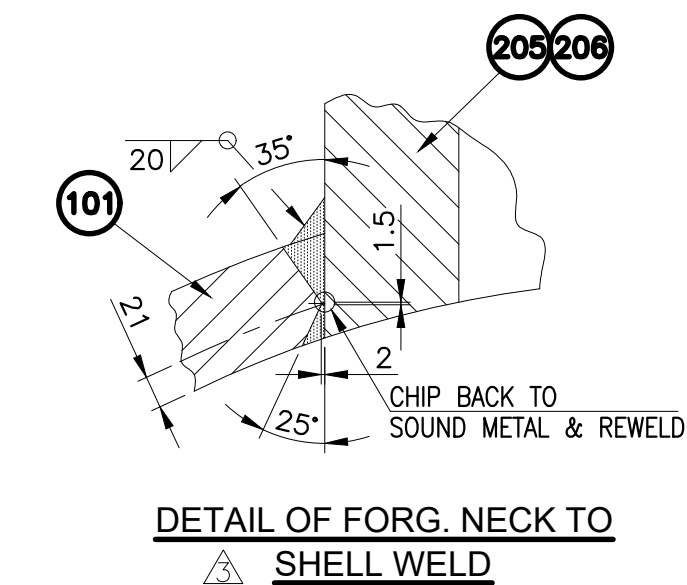
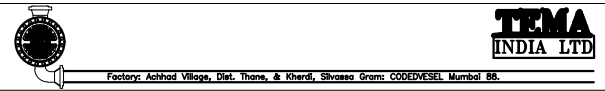
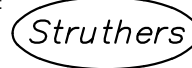


"AS BUILT DWG"



DRAWING CERTIFIED BY
Harry R. Bishop 02/17/03
 HARRY R. BISHOP
 CHIEF DESIGN ENGINEER

5	02/17/03	AS BUILT DIMENSIONS ARE SHOWN IN	DMF	WB	HRB
		BKT (-) & OTHER REVISED AS MKD Δ THUS			
REV.	DATE	DESCRIPTION	DRWN	CHKD	APPD
PROJECT NAME : CPCL REFINERY- III PROJECT					
MANUFACTURER : 					
ENGINEERING :  STRUTHERS INDUSTRIES, INC. GULFPORT, MISSISSIPPI					
CONSULTANT : ENGINEERS INDIA LIMITED					
CLIENT : CHENNAI PETROLEUM CORPORATION LIMITED					
TITLE : DETAIL OF WELD JOINTS & FORGE NECK REACTOR EFFLUENT / RECYCLE GAS					EQPT. NO. 207-E7
JOB NO.	SII TEMA	3-02-04-41206E T/E/02520	P/O No.	1027/PO/2138/4814	
SCALE	NTS	DWG. No. or Doc No.	VP-1027-E7-02520	SHT. NO. 17 OF 19	Rev. 2 3 4 5