

DOME HEIGHT FOR TOP NOZZLE = 111.75
 DOME HEIGHT FOR BTM. NOZZLE = 129.71

LOCATION OF 2NOS. SEALING STRIP 137
 105Wx8THK WELDED TO #A1
 BAFFLE TO #A2 BAFFLE

LOCATION OF 25NOS. 3/4"UNCx27 DEEP TAPPED HOLES 602
 ON SHELL SIDE FOR Ø19.05 IMPACT BAR
 (DO NOT DRILL THROUGH)

LOCATION OF 2NOS. SEALING STRIP 112
 43Wx8THK WELDED TO T/SHT.,
 BAFFLE PL. & SUPPORT PL.

LOCATION OF 18NOS. M-12x18 DEEP
 DRILLED & TAPPED HOLES FOR
 Ø12.7 TIE RODS ON SHELL SIDE
 (DO NOT DRILL THROUGH) 601

- ⊗ DENOTE TUBE HOLE
- ⊙ DENOTE TIE ROD
- ⊗ DENOTE PULLING EYE BOLT
- DENOTE IMPACT BAR
- ⊗ DENOTE DUMMY TUBE

LOCATION OF 49NOS. OD 19.05 307
 HORIZONTAL DUMMY TUBES WELDED TO
 T/SHT. TO FULL SUPP. PLATE

LOCATION OF 2NOS. SEALING STRIP 135
 32Wx8THK WELDED TO T/SHT.
 BAFFLE PL. & SUPPORT PL.

"AS BUILT DWG"

511 4NOS.M-20x30 DEEP
 TAPPED HOLES FOR
 M20 PULLING EYE BOLTS
 LOCATED DIAGONALLY OPP.
 ON CHANNEL SIDE FACE OF TUBESHEET

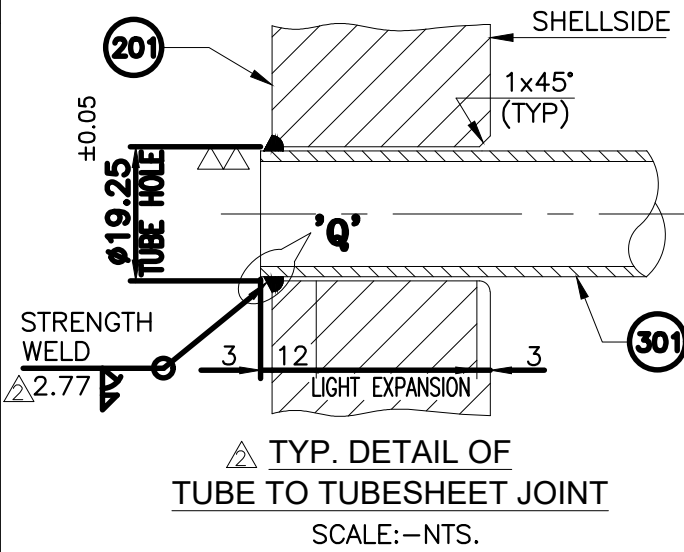
111 LOCATION OF 2NOS. SLIDING STRIP
 75WIDEx18THK WELDED TO T/SHT.,
 BAFFLE PL. & SUPPORT PL.

303 LOCATION OF 4NOS. OD 19.05
 VERTICAL DUMMY TUBES WELDED TO
 TUBESHEET TO SUPPORT PLATE

VIEW FROM CHANNEL SIDE
 SCALE:-1:5.5

DRAWING CERTIFIED BY
Harry R. Bishop 02/17/03
 HARRY R. BISHOP
 CHIEF DESIGN ENGINEER

△ SHELL ID = 943 mm
 NO. OF TUBE HOLES = 718
 (FOR 359 NOS. 'U' TUBES)
 △ OTL = Ø927.46 mm
 PITCH = 25.4 mm
 △ TUBE HOLE DIAMETER = 19.25 mm ±0.05
 LAYOUT = RT. SQUARE
 NO. OF PASSES : 4



DETAIL-'Q'

REV.	DATE	DESCRIPTION	DRWN	CHKD	APPD
7	02/17/03	AS BUILT DIMENSIONS ARE SHOWN IN BKT (-) & OTHER REVISED AS MKD.△THUS	DMF	WB	HRB
6	10/10/02	DWG IS REVISED AS MKD.△THUS	DMF	WB	HRB

PROJECT NAME : **CPCL REFINERY- III PROJECT**

MANUFACTURER : **TEMA INDIA LTD**
Factory: Achhad Village, Dist. Thane, & Kheral, Silvassa Gram: CODEVESEL, Mumbai 88.

ENGINEERING : **Struthers STRUTHERS INDUSTRIES, INC. GULFPORT, MISSISSIPPI**

CONSULTANT : **ENGINEERS INDIA LIMITED**

CLIENT : **CHENNAI PETROLEUM CORPORATION LIMITED**

TITLE : **DETAIL OF TUBESHEET LAYOUT FOR REACTOR EFFLUENT/ RECYCLE GAS** EQPT. NO. **207-E7**

JOB NO.	SII TEMA	3-02-04-41206E T/E/02520	P/O No.	1027/PO/2138/4814
SCALE	AS SHOWN	DWG. No. or Doc No.	VP-1027-E7-02520	SHT. NO. 6 OF 19

Rev.	2	3
	4	5
	6	7