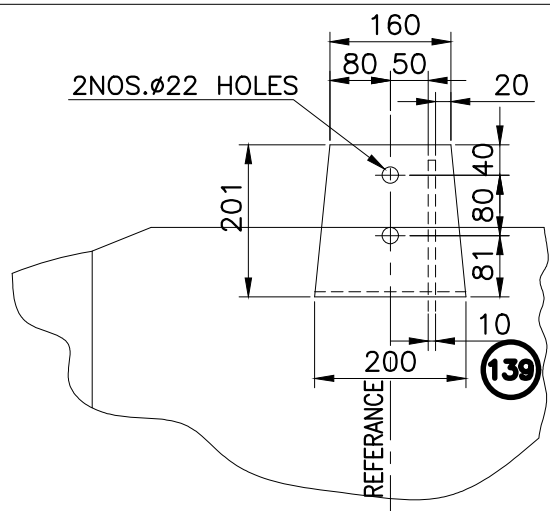
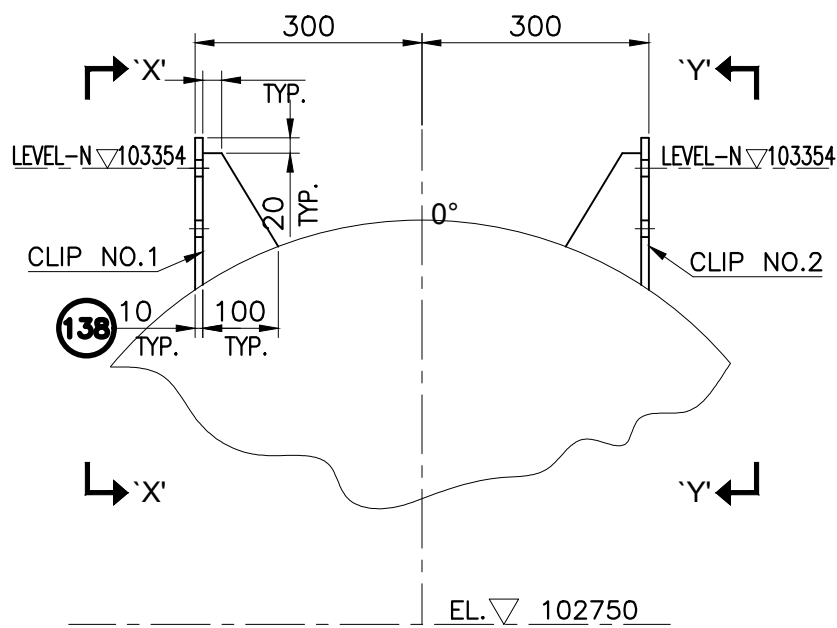


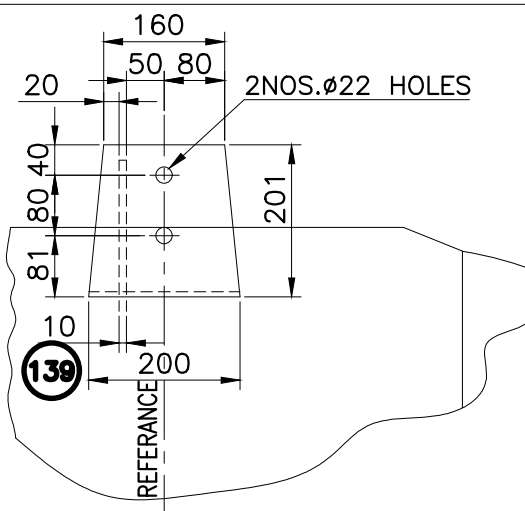
PLAN
SCALE:-1:20



VIEW FROM 'XX'
SCALE:-NTS.



VIEW FROM 'ZZ'
SCALE:-NTS.
DETAIL OF PIPE SUPPORT CLIP



VIEW FROM 'YY'
SCALE:-NTS.

DRAWING CERTIFIED BY
Harry R. Bishop 02/17/03
HARRY R. BISHOP
CHIEF DESIGN ENGINEER

"AS BUILT DWG"

4	02/17/03	AS BUILT DIMENSIONS ARE SHOWN IN	DMF	WB	HRB
		BKT (-) & OTHER REVISED AS MKD. Δ THUS			
3	04/19/02	DWG IS REVISED AS MKD. Δ THUS	DMF	WB	HRB
2	04/03/02	DWG IS REVISED AS MKD. Δ THUS	DMF	WB	HRB
REV.	DATE	DESCRIPTION	DRWN	CHKD	APPD

PROJECT NAME : **CPCL REFINERY- III PROJECT**

MANUFACTURER : **TEMA INDIA LTD**
Factory: Achhad Village, Dist. Thane, @ Kherwadi, Shreegan Gram: COCO/24/24, Mumbai 40.

ENGINEERING : **STRUTHERS INDUSTRIES, INC. GULFPORT, MISSISSIPPI**

CONSULTANT : **ENGINEERS INDIA LIMITED**

CLIENT : **CHENNAI PETROLEUM CORPORATION LIMITED**

TITLE : **PIPE SUPPORT CLIP FOR REACTOR EFFLUENT/ RECYCLE GAS** EQPT. NO. **207-E7**

JOB NO.	SII TEMA	3-02-04-41206E T/E/02520	P/O No.	1027/PO/2138/4814	
SCALE	AS SHOWN	DWG. No. or Doc No.	VP-1027-E7-02520	SHT. NO.	Rev.
				19 OF 19	2/3/4