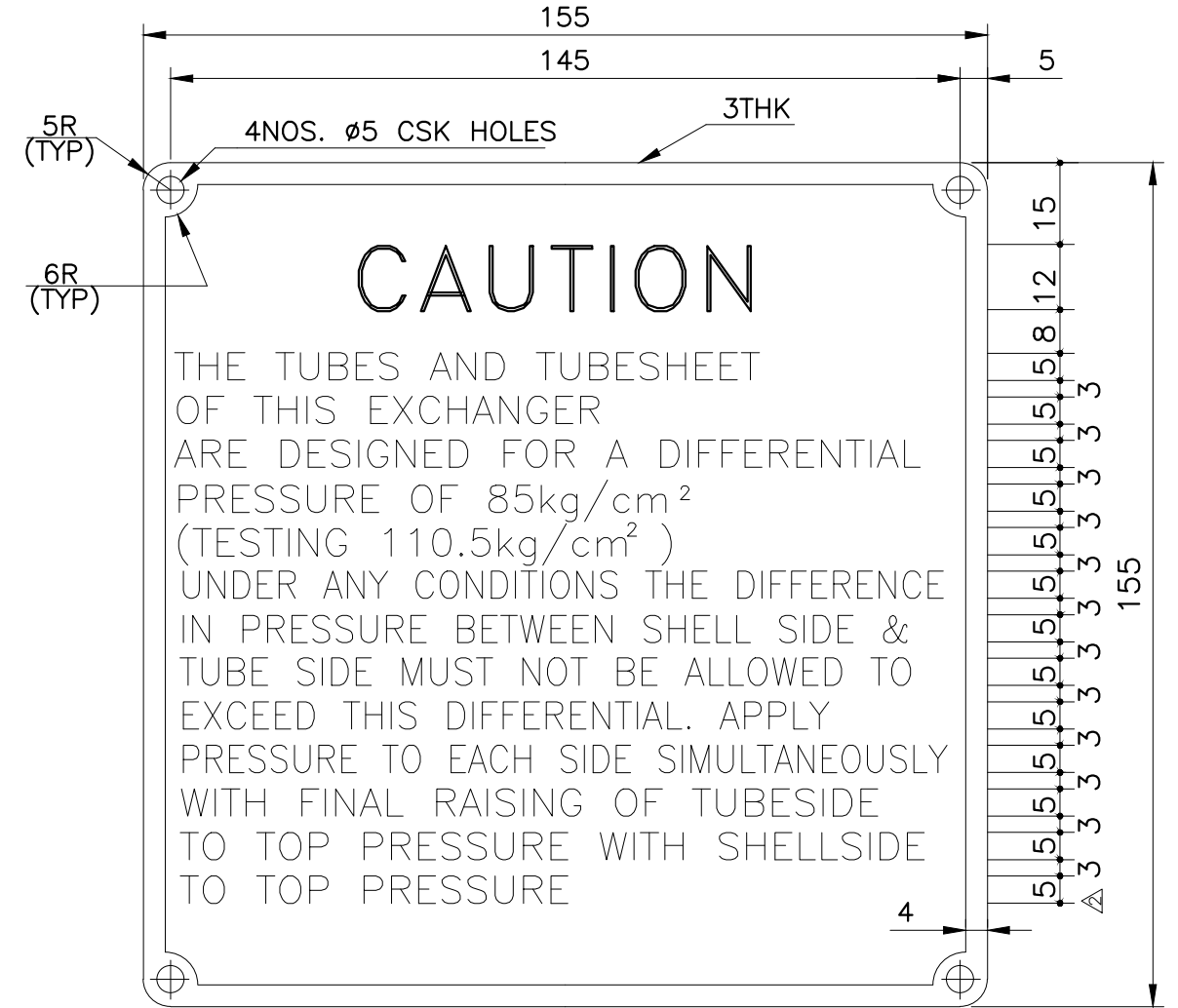
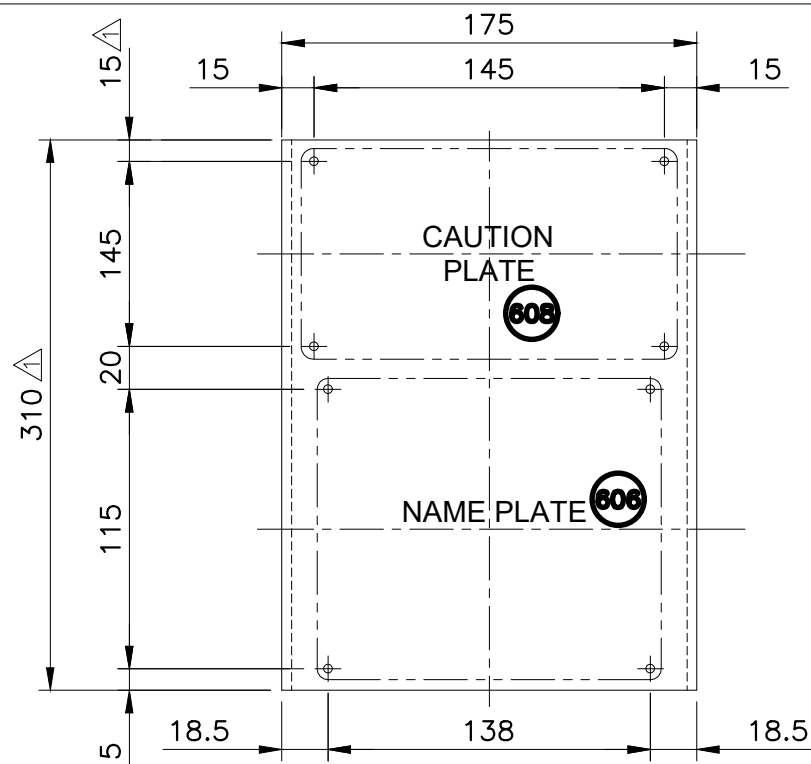


NAME PLATE 608

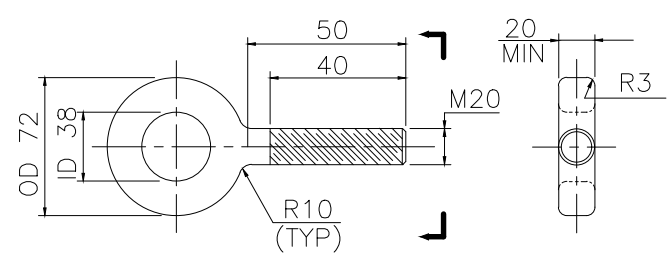


NOTE :- THE WORD CAUTION IS TO BE ENGRAVED 1 WIDE x 1.5 DEEP AND FILLED WITH BLACK PAINT

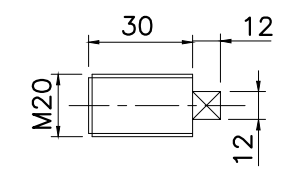
DETAIL OF CAUTION PLATE 608 "AS BUILT DWG"



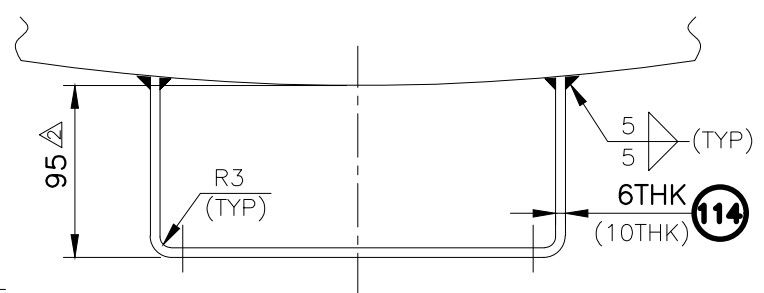
DETAIL OF NAME PLATE



511 PULLING EYE BOLT



510 PLUG



DRAWING CERTIFIED BY  
Harry R. Bishop 02/17/03  
HARRY R. BISHOP  
CHIEF DESIGN ENGINEER

REV.	DATE	DESCRIPTION	DRWN	CHKD	APPD
4	02/17/03	AS BUILT DIMENSIONS ARE SHOWN IN BKT (-) & OTHER REVISED AS MKD. THIS	DMF	WB	HRB
3	04/19/02	DWG. IS REVISED AS MKD. THIS	DMF	WB	HRB
2	04/03/02	DWG. IS REVISED AS MKD. THIS	DMF	WB	HRB
PROJECT NAME : CPCL REFINERY- III PROJECT					
MANUFACTURER : TEMA INDIA LTD Factory: Achhad Village, Dist. Thane, & Kherdi, Silveasa Gram: CODEWESL, Mumbai 68.					
ENGINEERING : Struthers STRUTHERS INDUSTRIES, INC. GULFPORT, MISSISSIPPI					
CONSULTANT : ENGINEERS INDIA LIMITED					
CLIENT : CHENNAI PETROLEUM CORPORATION LIMITED					
TITLE : DETAIL OF NAME PL., NAME PL. BRACKET & PULLING EYE BOLT REACTOR EFFLUENT / RECYCLE GAS					EQPT. NO. 207-E7
JOB NO.	SII 3-02-04-41206E TEMA T/E/02520	P/O No. 1027/PO/2138/4814			
SCALE	NTS	DWG. No. or Doc No. VP-1027-E7-02520	SHT. NO. 18 OF 19	Rev. 1	2 3 4