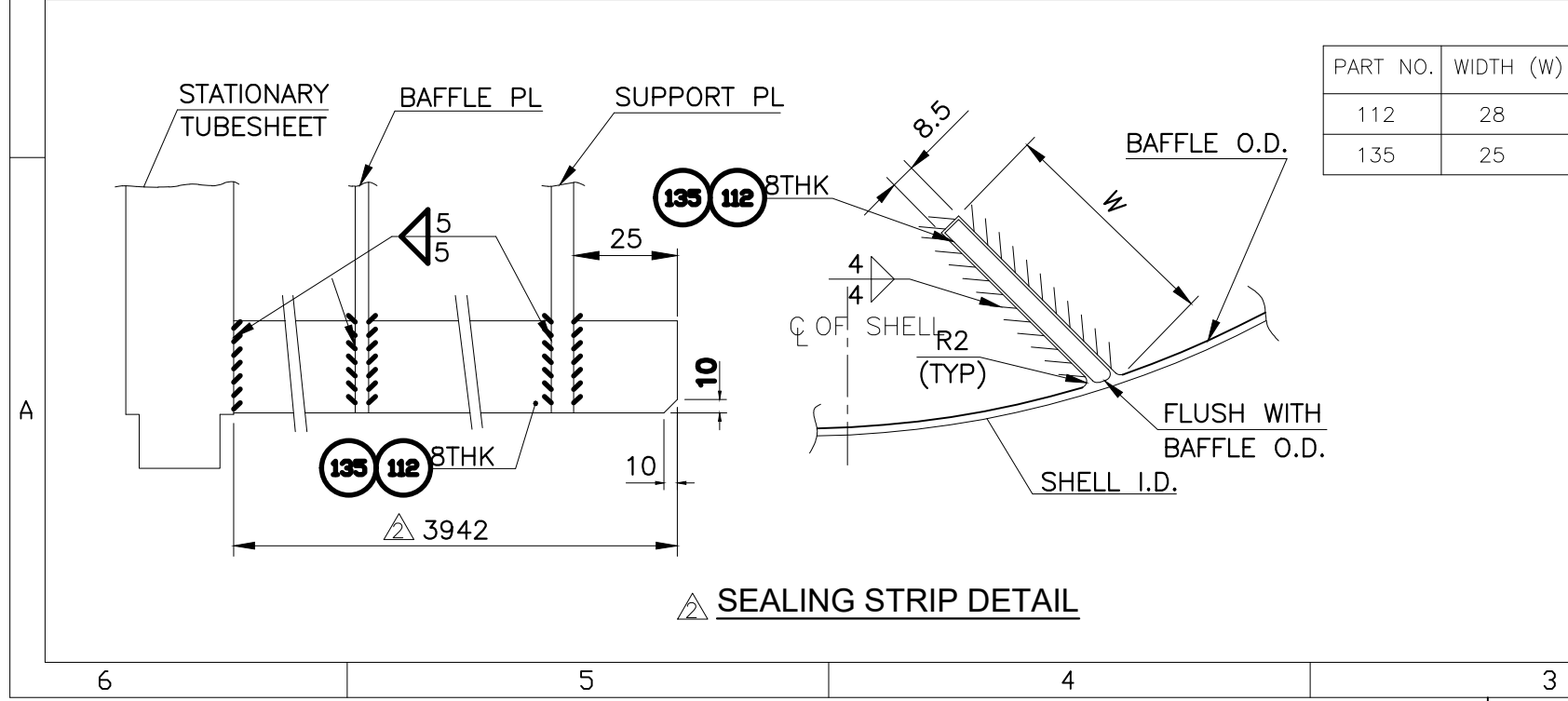


DRAWING CERTIFIED BY
Harry R. Bishop 02/17/03
 HARRY R. BISHOP
 CHIEF DESIGN ENGINEER

"AS BUILT DWG"



PART NO.	WIDTH (W)
112	28
135	25

REV.	DATE	DESCRIPTION	DRWN	CHKD	APPD
4	02/17/03	AS BUILT DIMENSIONS ARE SHOWN IN BKT (-) & OTHER REVISED AS MKD. THUS	DMF	WB	HRB
3	04/19/02	DWG. IS REVISED AS MKD. THUS	DMF	WB	HRB
2	04/03/02	DWG. IS REVISED AS MKD. THUS	DMF	WB	HRB

PROJECT NAME : **CPCL REFINERY- III PROJECT**

MANUFACTURER : **TEMA INDIA LTD**
Factory: Achhad Village, Dist. Thane, & Kherd, Silvassa Gram: COORDINATE, Mumbai 68.

ENGINEERING : **STRUTHERS INDUSTRIES, INC. GULFPORT, MISSISSIPPI**

CONSULTANT : **ENGINEERS INDIA LIMITED**

CLIENT : **CHENNAI PETROLEUM CORPORATION LIMITED**

TITLE : **DETAIL OF LIFTING DEVICE, SEALING STRIP, & SLIDING STRIP REACTOR EFFLUENT / RECYCLE GAS** EQPT. NO. **207-E7**

JOB NO.	SII TEMA	3-02-04-41206E T/E/02520	P/O No.	1027/PO/2138/4814
SCALE	NTS	DWG. No. or Doc No.	VP-1027-E7-02520	SHT. NO. 16 OF 19 Rev. 1 2 3 4