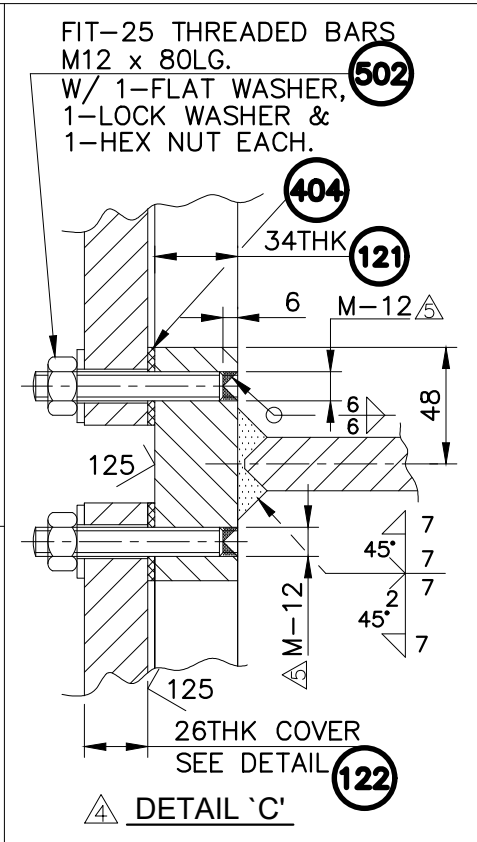
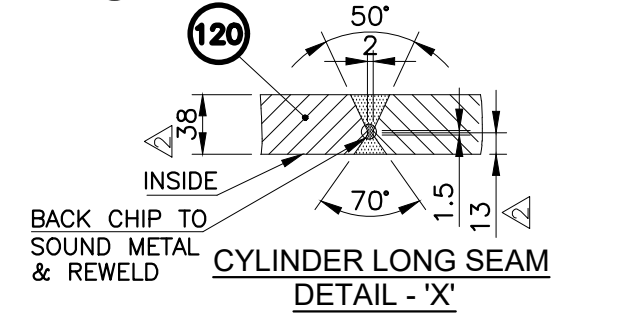
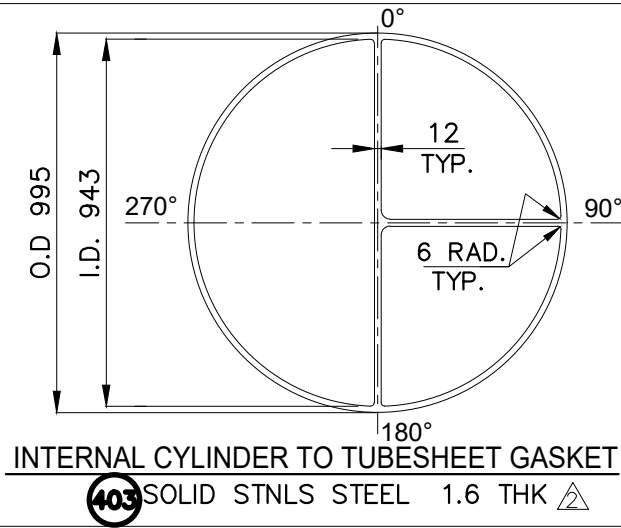
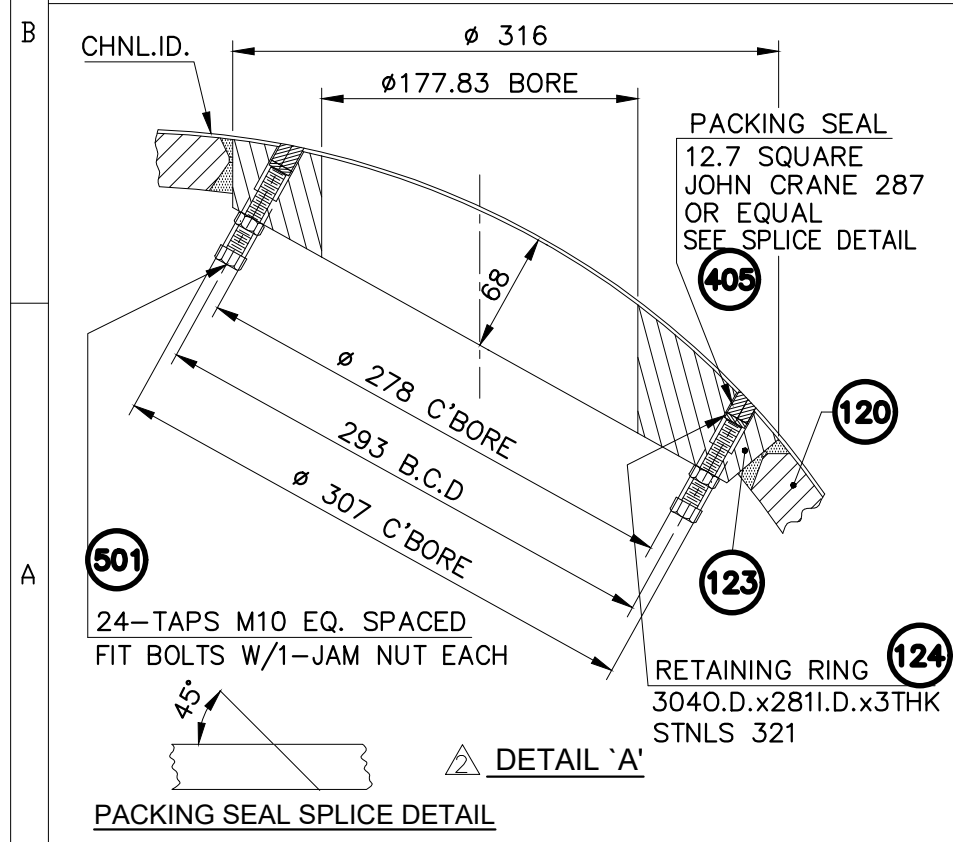


DRAWING CERTIFIED BY
Harry R. Bishop 02/17/03
 HARRY R. BISHOP
 CHIEF DESIGN ENGINEER



REV.	DATE	DESCRIPTION	DRWN	CHKD	APPD
6	02/17/03	AS BUILT DIMENSIONS ARE SHOWN IN BKT (-) & OTHER REVISED AS MKD. THIS	DMF	WB	HRB
5	07/16/02	DWG IS REVISED AS MKD. THIS.	DMF	WB	HRB
4	05/02/02	DWG IS REVISED AS MKD. THIS.	DMF	WB	HRB

PROJECT NAME : **CPCL REFINERY- III PROJECT**

MANUFACTURER : **TEMA INDIA LTD**
 Factory, Achhad Village, Dist. Thane, & Kherdi, Silvassa Gram. COOCHINSEEL, Mumbai 68.

ENGINEERING : **Struthers STRUTHERS INDUSTRIES, INC. GULFPORT, MISSISSIPPI**

CONSULTANT : **ENGINEERS INDIA LIMITED**

CLIENT : **CHENNAI PETROLEUM CORPORATION LIMITED**

TITLE : **DETAIL OF INTERNAL PARTITION CYLINDER REACTOR EFFLUENT / RECYCLE GAS** EQPT. NO. **207-E7**

JOB NO.	SII	3-02-04-41206E	P/O No.	1027/PO/2138/4814
SCALE	NTS	DWG. No. or Doc No.	VP-1027-E7-02520	SHT. NO. 13 OF 19