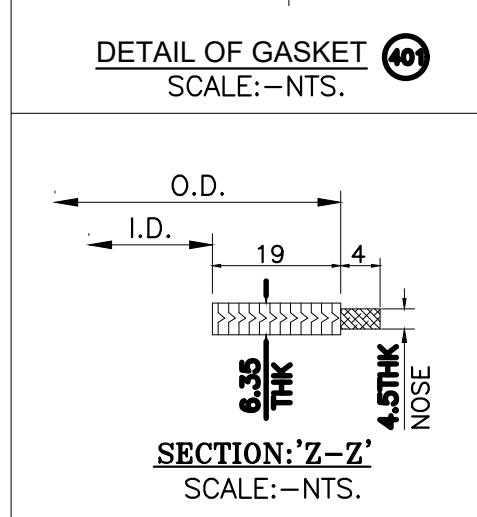
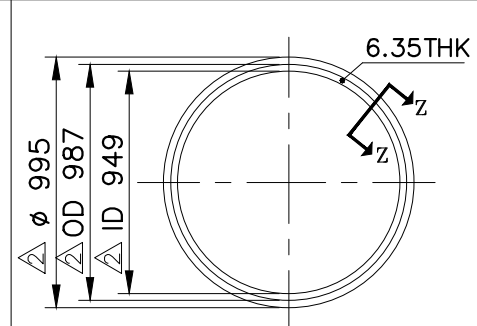
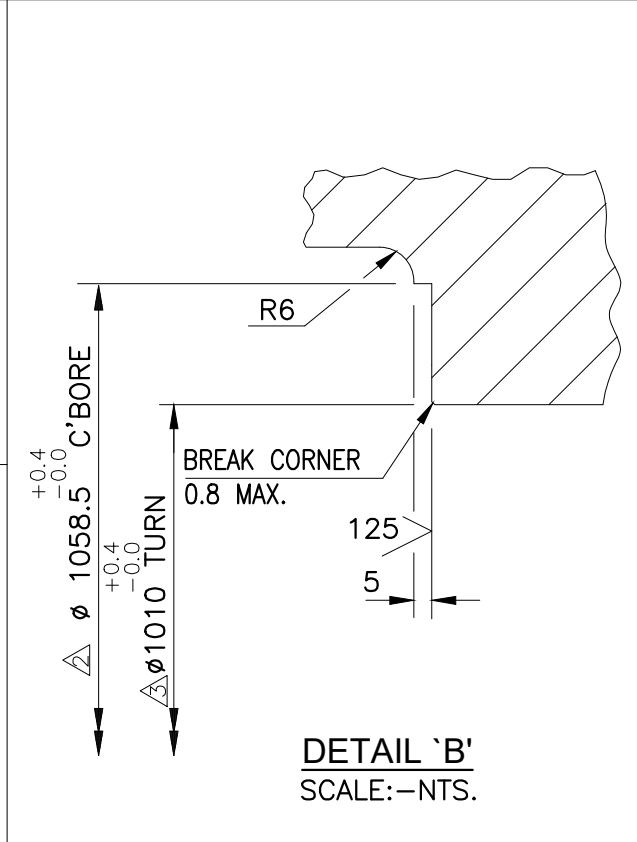
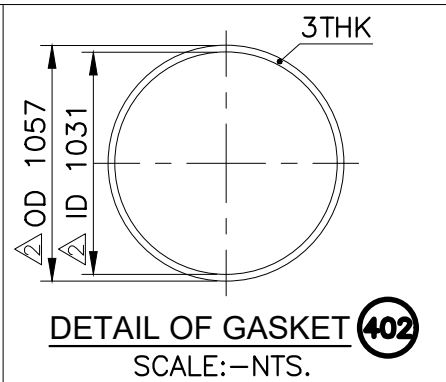
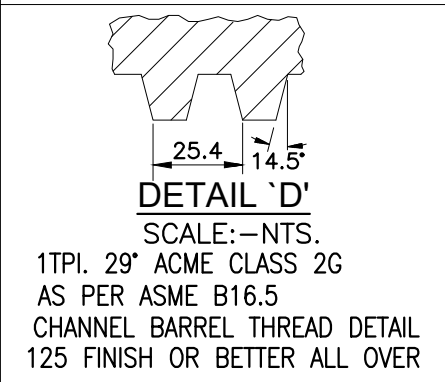
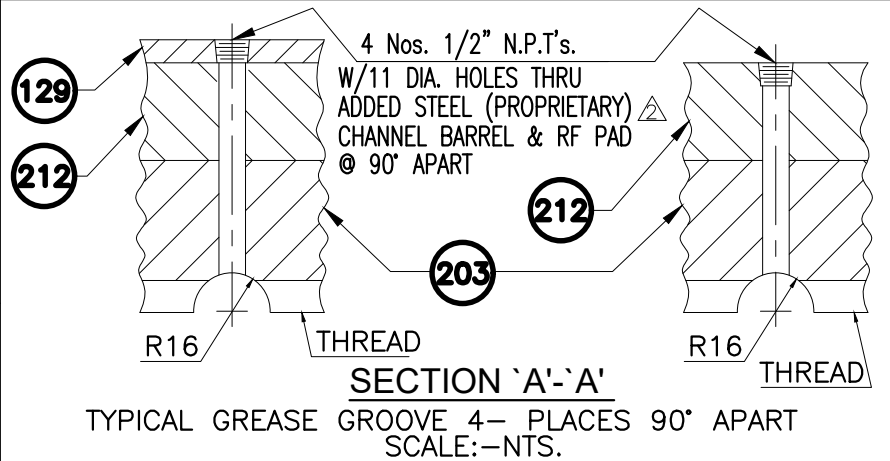


DETAIL OF CHANNEL BARREL **202**
SCALE: -1:12.5

DRAWING CERTIFIED BY
Harry R. Bishop 02/17/03
HARRY R. BISHOP
CHIEF DESIGN ENGINEER



"AS BUILT DWG"

REV.	DATE	DESCRIPTION	DRWN	CHKD	APPD
4	02/17/03	AS BUILT DIMENSIONS ARE SHOWN IN BKT (-) & OTHER REVISED AS MKD Δ THUS	DMF	WB	HRB
3	04/19/02	DWG IS REVISED AS MKD Δ THUS.	DMF	WB	HRB

PROJECT NAME: **CPCL REFINERY- III PROJECT**

MANUFACTURER: **TEMA INDIA LTD**
Factory: Achhad Village, Dist. Thane, & Kherdi, Silvassa Gram: COOBYESEL, Mumbai 68.

ENGINEERING: **Struthers STRUTHERS INDUSTRIES, INC. GULFPORT, MISSISSIPPI**

CONSULTANT: **ENGINEERS INDIA LIMITED**

CLIENT: **CHENNAI PETROLEUM CORPORATION LIMITED**

TITLE: DETAIL OF CHANNEL BARREL FOR REACTOR EFFLUENT / RECYCLE GAS	EQPT. NO. 207-E7
JOB NO. SII 3-02-04-41206E TEMA T/E/02520	P/O No. 1027/PO/2138/4814
SCALE AS SHOWN DWG. No. or Doc No. VP-1027-E7-02520	SHT. NO. 10 OF 19 Rev. 1 2 3 4