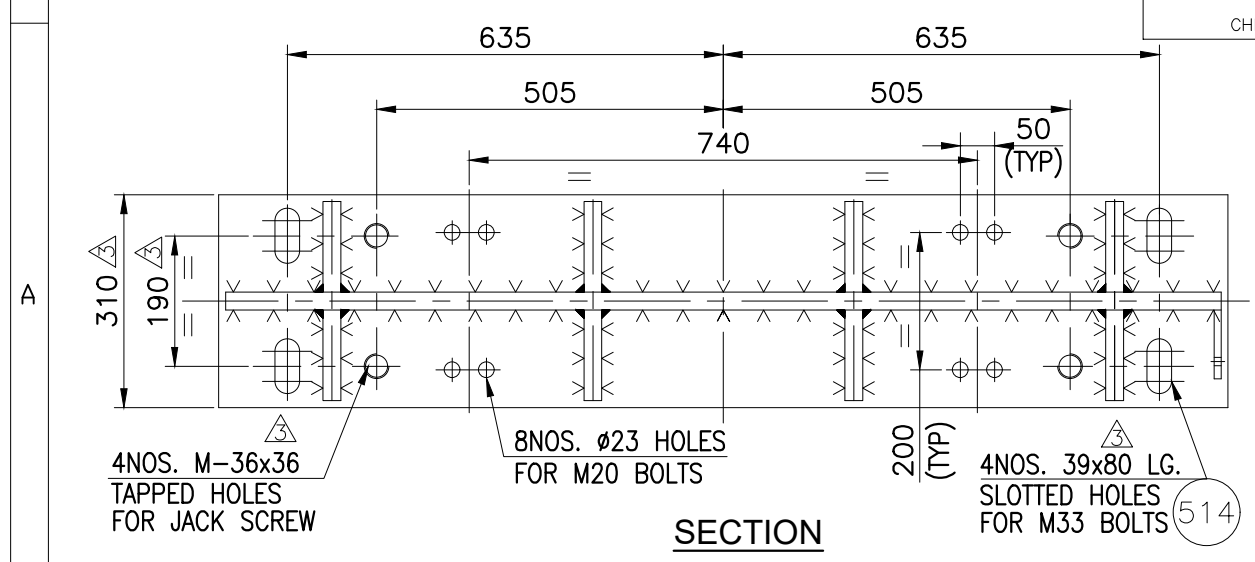
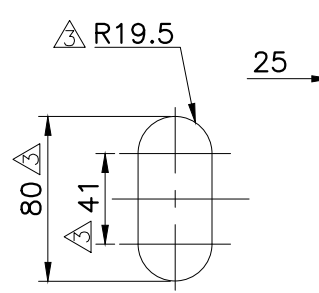


DETAIL OF SADDLE SUPPORT FOR SHELL SIDE
ALL FILLETS ARE 20mm. Δ

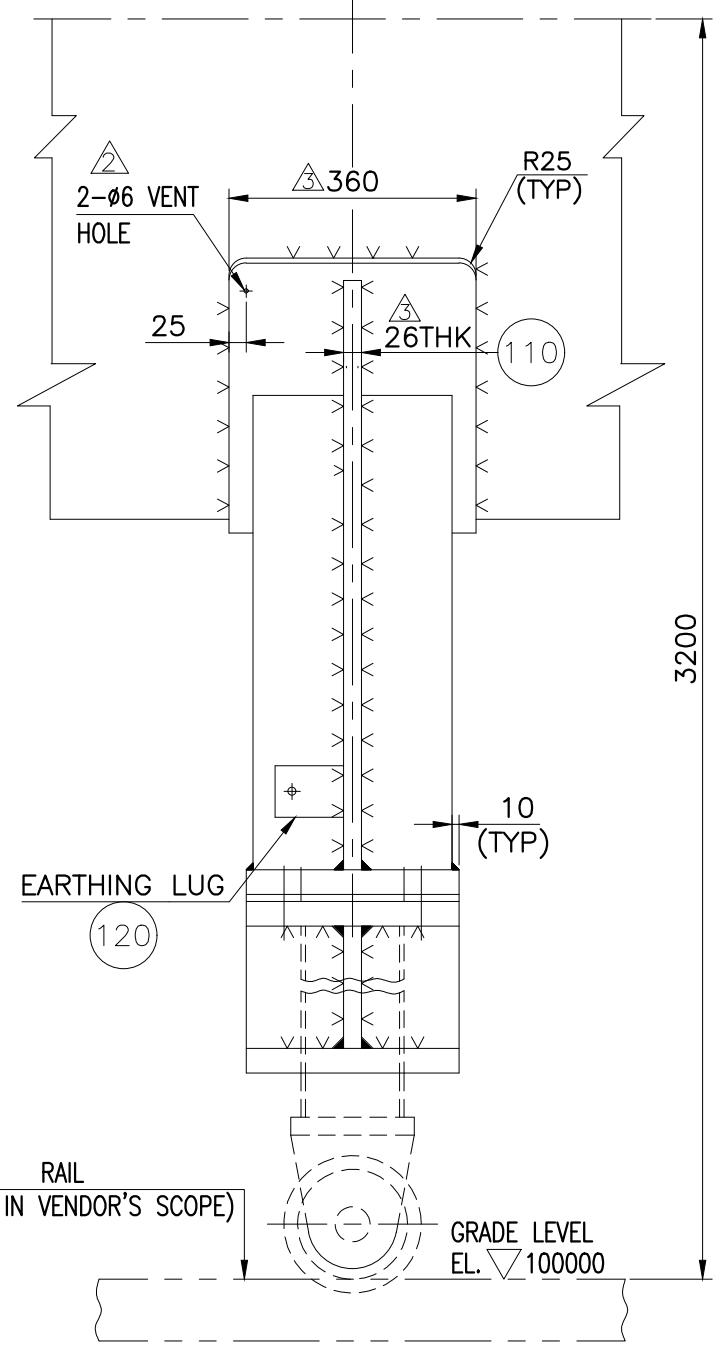
DRAWING CERTIFIED BY
Harry R. Bishop 05/26/03
HARRY R. BISHOP
CHIEF DESIGN ENGINEER



SECTION



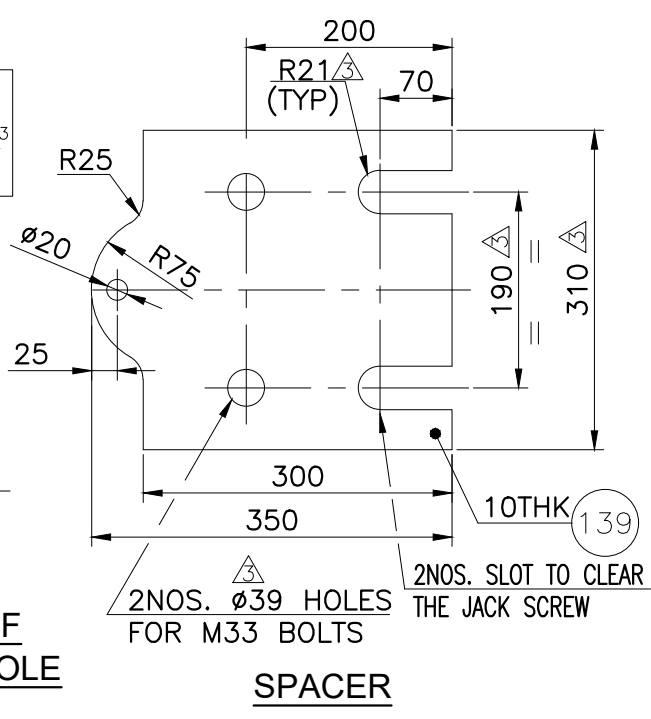
DETAIL OF SLOTTED HOLE



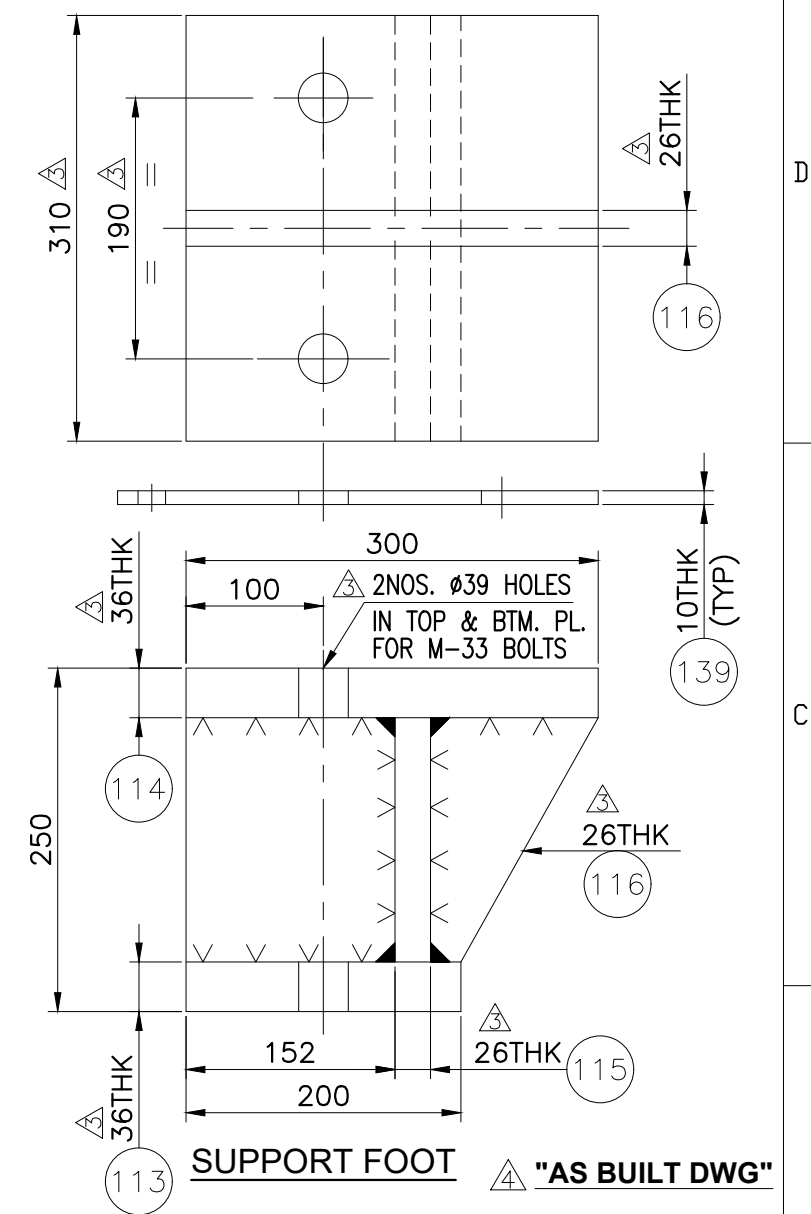
EARTHING LUG (120)

RAIL (NOT IN VENDOR'S SCOPE)

GRADE LEVEL EL. 100000



SPACER



SUPPORT FOOT Δ "AS BUILT DWG"

* FOR TROLLY & RAIL DETAIL REFER DWG. NO. VP-1027-160-79 SHT. 1 OF 2 & 2 OF 2.

REV.	DATE	DESCRIPTION	DRWN	CHKD	APPD
4	05/26/03	AS BUILT DIMENSIONS ARE SHOWN IN BKT (-) & OTHER REVISED AS MKD. Δ THUS	DMF	WB	HRB
3	04/17/02	DWG IS REVISED AS MKD. Δ THUS	DMF	WB	HRB
2	03/28/02	DWG IS REVISED AS MKD. Δ THUS	DMF	WB	HRB

PROJECT NAME : **CPCL REFINERY- III PROJECT**

MANUFACTURER : **TEMA INDIA LTD**

ENGINEERING : **Struthers STRUTHERS INDUSTRIES, INC. GULFPORT, MISSISSIPPI**

CONSULTANT : **ENGINEERS INDIA LIMITED**

CLIENT : **CHENNAI PETROLEUM CORPORATION LIMITED**

TITLE :	DETAIL OF SHELL SADDLE SUPPORT FOR RX EFFLUENT / CLPS LIQUID	EQPT. NO.	207-E4
JOB NO.	SII 3-02-04-41206B TEMA T/E/02517	P/O No.	1027/PO/2138/4814
SCALE	NTS DWG. No. or Doc No. VP-1027-E4-02517	SHT. NO.	13 OF 18
		Rev.	1/2/3/4