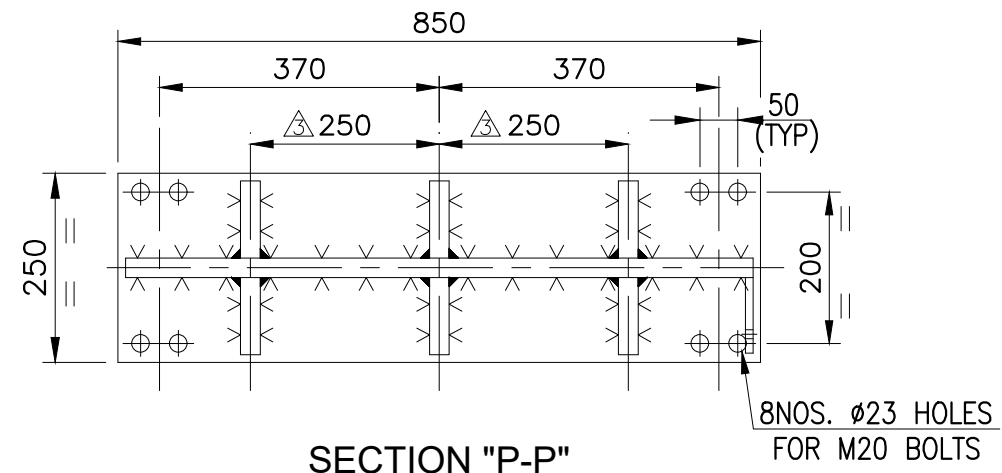
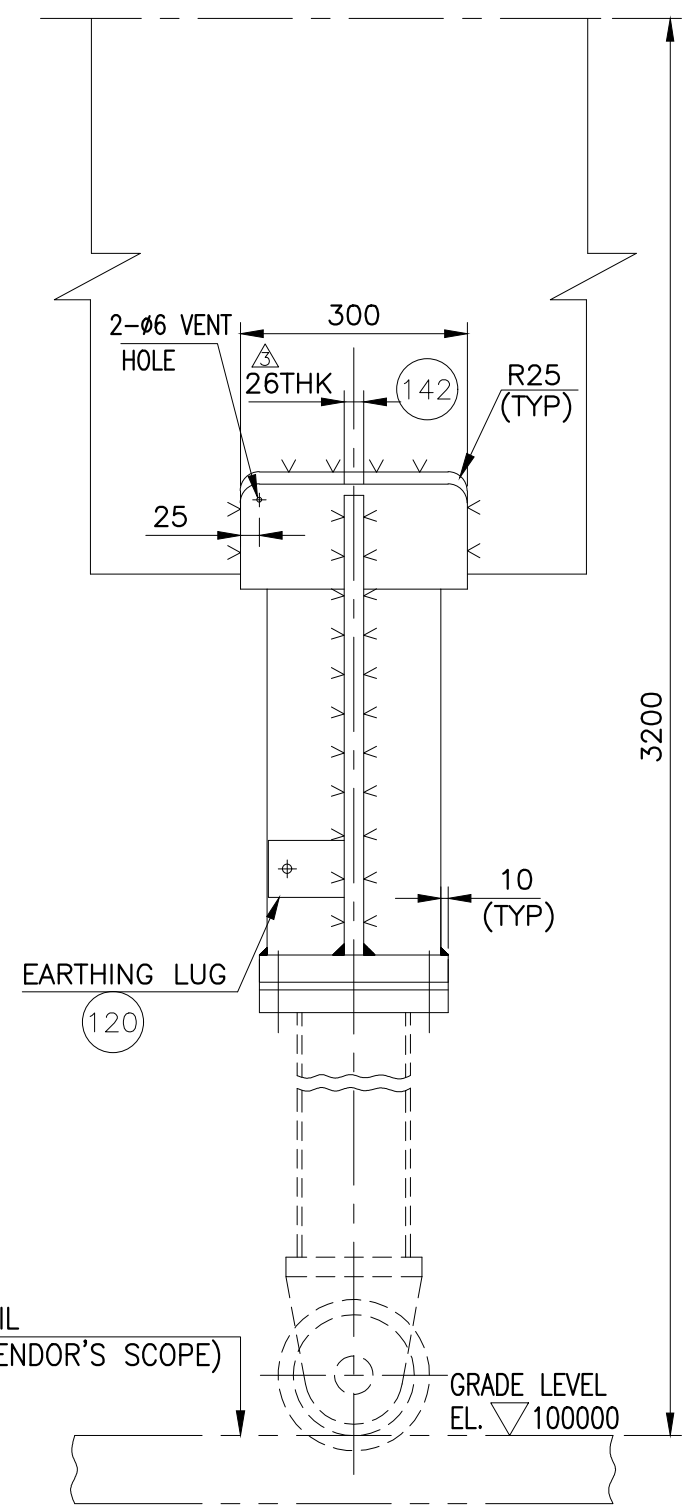


DETAIL OF ROLLER SADDLE SUPP.



SECTION "P-P"

8NOS. ø23 HOLES FOR M20 BOLTS



NOTES :- ALL FILLETS ARE 20 mm.

DRAWING CERTIFIED BY
Harry R. Bishop 05/26/03
 HARRY R. BISHOP
 CHIEF DESIGN ENGINEER

△ "AS BUILT DWG"

REV.	DATE	DESCRIPTION	DRWN	CHKD	APPD
4	05/26/03	AS BUILT DIMENSIONS ARE SHOWN IN BKT (-) & OTHER REVISED AS MKD. △ THUS	DMF	WB	HRB
3	04/17/02	DRAWING IS REVISED AS MKD. △ THUS.	DMF	WB	HRB
2	03/28/02	DRAWING IS REVISED AS MKD. △ THUS.	DMF	WB	HRB

PROJECT NAME : **CPCL REFINERY- III PROJECT**

MANUFACTURER : **TEMA INDIA LTD**
Factory: Ashraf Village, Dist. Thane, & Kherdi, Shivasa Gram: COOCHIN/SE/4, Mumbai 40.

ENGINEERING : **STRUTHERS INDUSTRIES, INC.**
GULFPORT, MISSISSIPPI

CONSULTANT : **ENGINEERS INDIA LIMITED**

CLIENT : **CHENNAI PETROLEUM CORPORATION LIMITED**

TITLE :	DETAIL OF ROLLER SADDLE FOR RX EFFLUENT / CLPS LIQUID	EQPT. NO.	207-E4
JOB NO.	SII TEMA 3-02-04-41206B T/E/02517	P/O No.	1027/PO/2138/4814
SCALE	NTS	DWG. No. or Doc No.	VP-1027-E8-02517
		SHT. NO.	18 OF 18
		Rev.	2/3/4