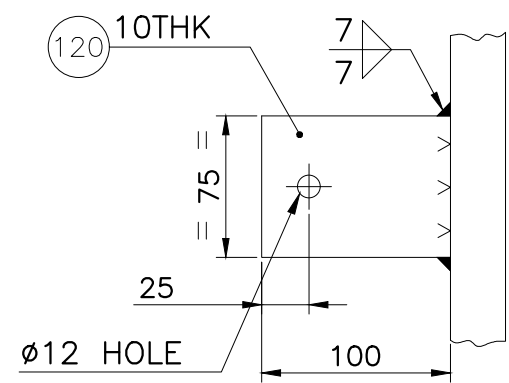
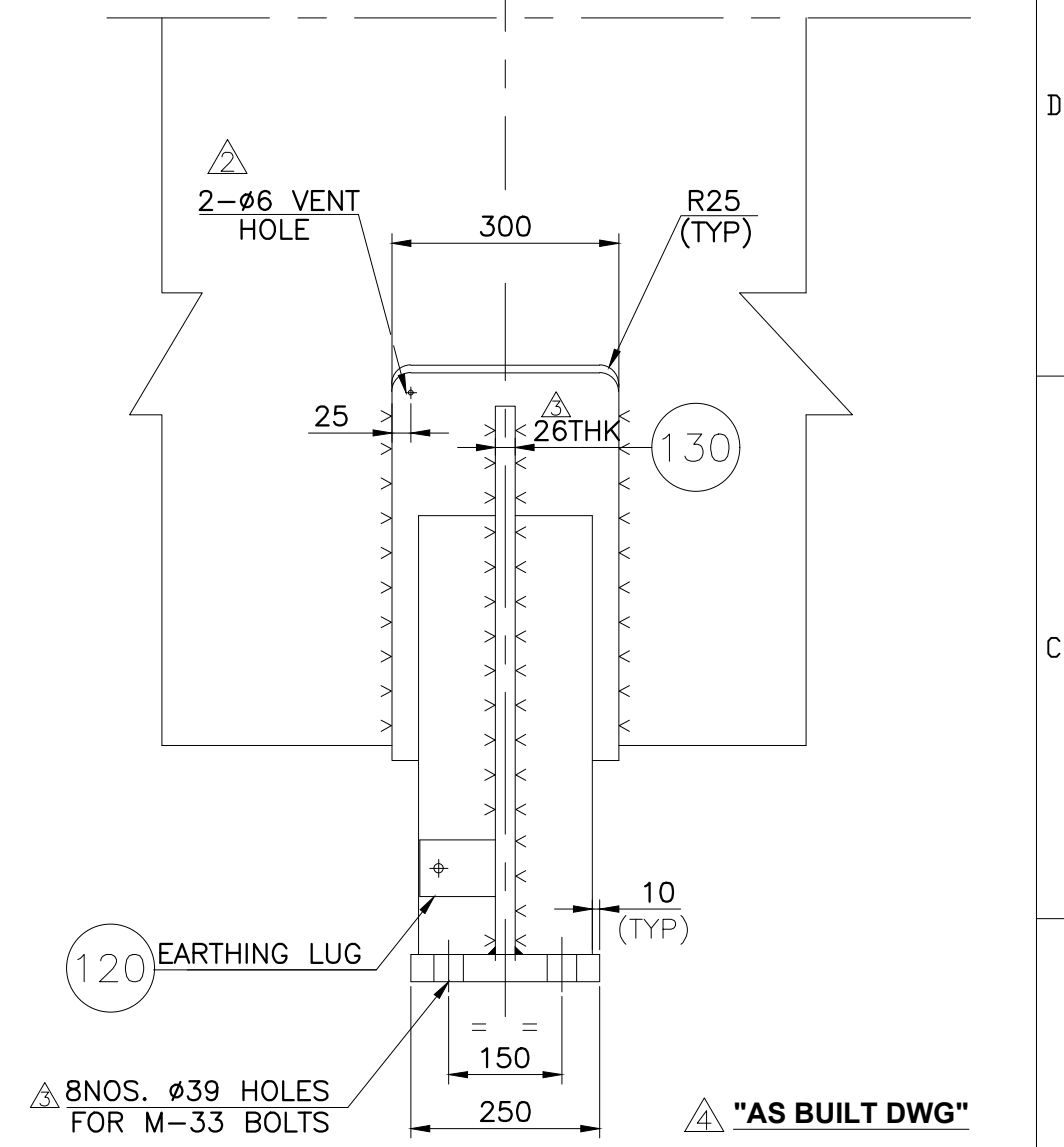


DETAIL OF SADDLE SUPPORT FOR CHANNEL SIDE

NOTE :- ALL FILLET ARE 20mm. Δ
SCALE = 1:10.5

DRAWING CERTIFIED BY
Harry R. Bishop 05/26/03
HARRY R. BISHOP
CHIEF DESIGN ENGINEER



DETAIL OF EARTHING LUG

SCALE = 1:4.2

REV.	DATE	DESCRIPTION	DRWN	CHKD	APPD
4	05/26/03	AS BUILT DIMENSIONS ARE SHOWN IN BKT (-) & OTHER REVISED AS MKD. Δ THUS	DMF	WB	HRB
3	04/17/02	DWG IS REVISED AS MKD. Δ THUS	DMF	WB	HRB
2	03/28/02	DWG IS REVISED AS MKD. Δ THUS	DMF	WB	HRB
1	03/13/02	DWG IS REVISED AS MKD. Δ THUS	DMF	WB	HRB
0	02/08/02	SUBMITTAL FOR APPROVAL	DMF	WB	HRB

PROJECT NAME : CPCL REFINERY- III PROJECT					
MANUFACTURER : TEMA INDIA LTD <small>Factory: Ashraf Village, Dist. Thane, & Khand. Shivasa Gram, COOCHIN, Mumbai 68.</small>					
ENGINEERING : STRUTHERS INDUSTRIES, INC. GULFPORT, MISSISSIPPI					
CONSULTANT : ENGINEERS INDIA LIMITED					
CLIENT : CHENNAI PETROLEUM CORPORATION LIMITED					
TITLE : DETAIL OF CHANNEL SADDLE SUPPORT FOR RX EFFLUENT / CLPS LIQUID					EQPT. NO. 207-E4
JOB NO.	SII TEMA	3-02-04-41206B T/E/02517	P/O No.	1027/PO/2138/4814	
SCALE	AS SHOWN	DWG. No. or Doc No.	VP-1027-E4-02517	SHT. NO. 12 OF 18	Rev. 1/2/3/4